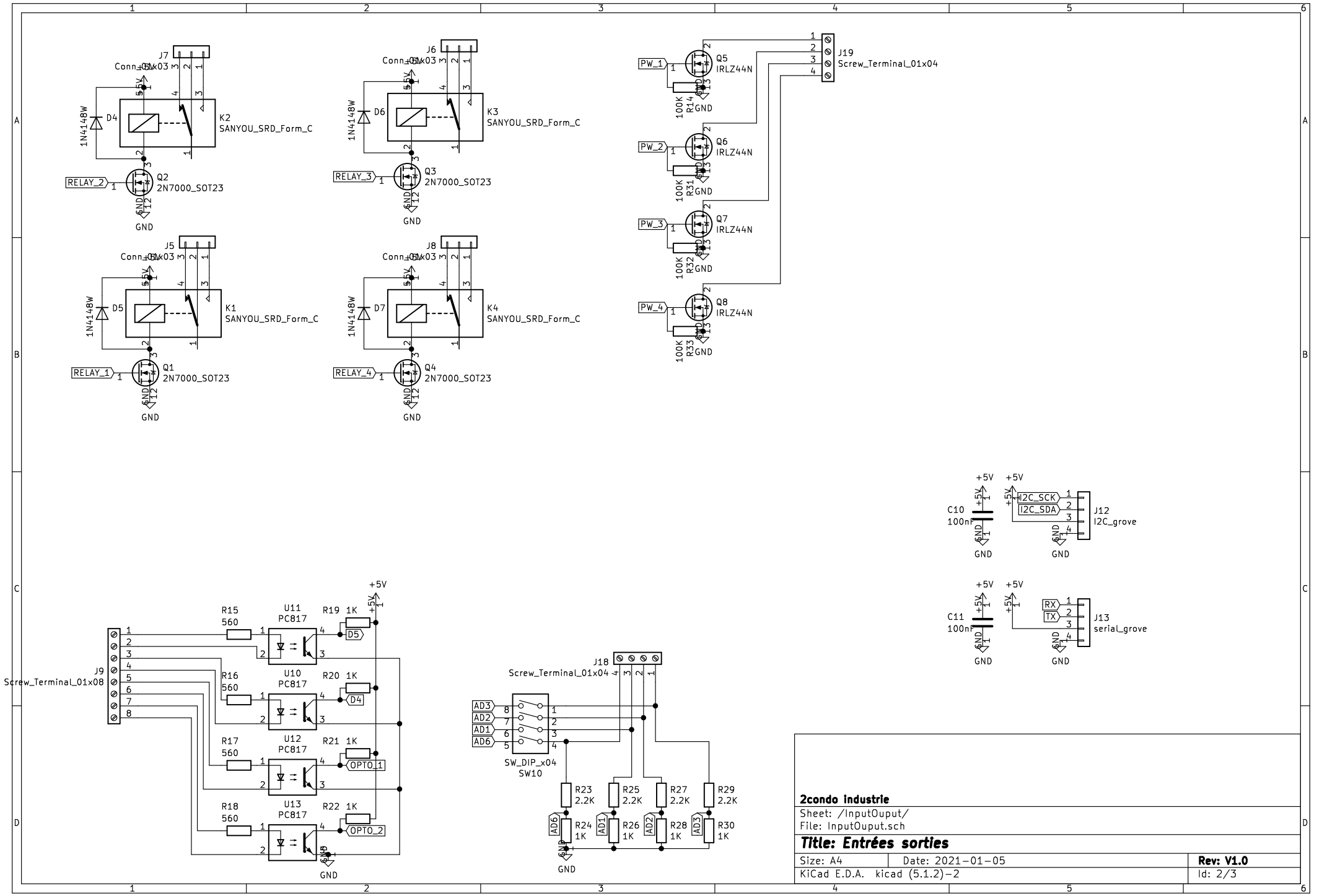


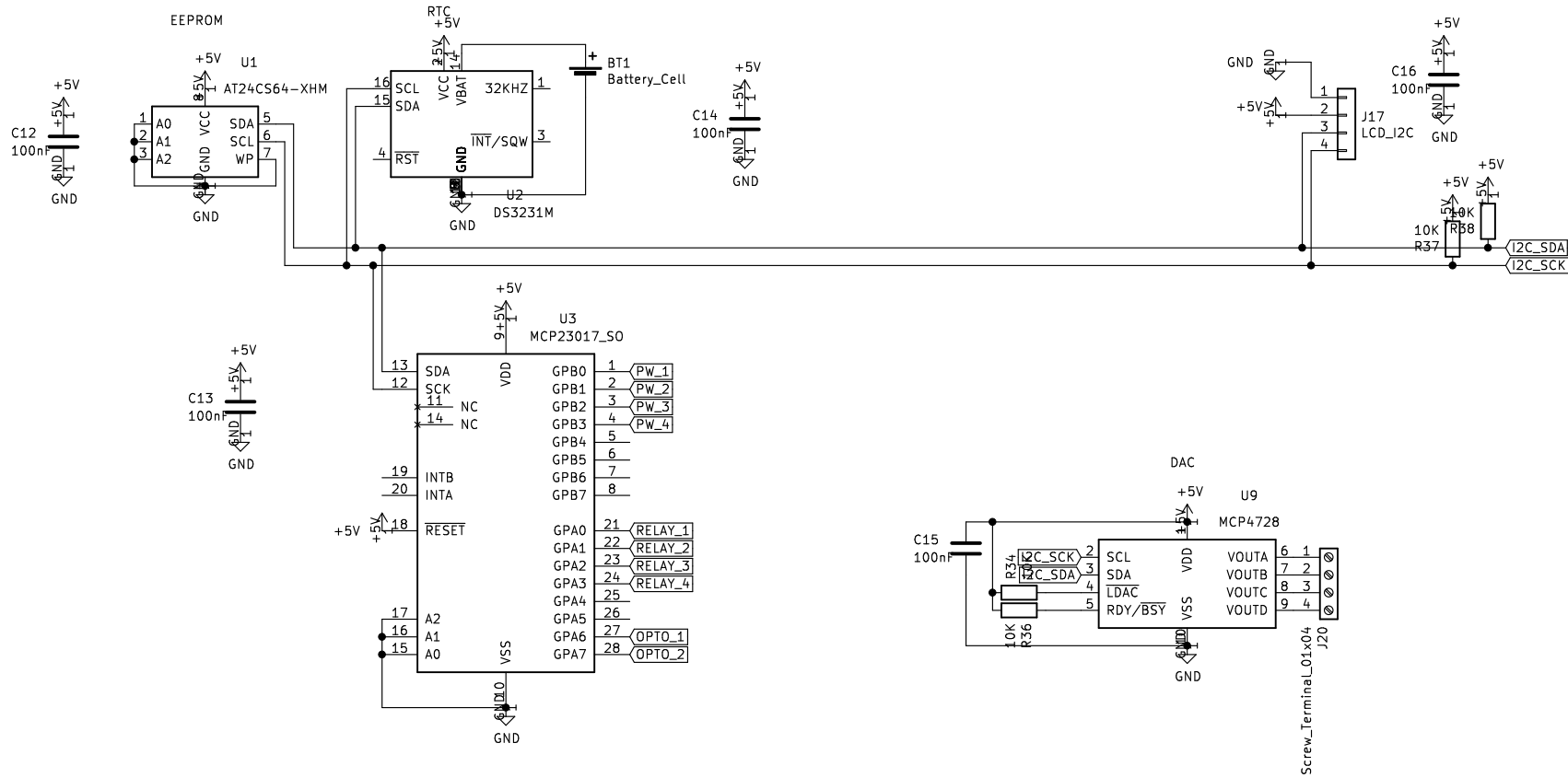
Sheet: I2C
File: I2C.sch

Sheet: InputOutput
File: InputOutput.sch

2condo Industrie	
Sheet: /	
File: automate_arduino_V1.sch	
Title: Vue principale	
Size: A4	Date: 2021-01-05
KiCad E.D.A. kicad (5.1.2)-2	
Rev: V1.0	
Id: 1/3	



2condo Industrie	
Sheet: /InputOuput/ File: InputOuput.sch	
Title: Entrées sorties	
Size: A4	Date: 2021-01-05
KiCad E.D.A. kicad (5.1.2)-2	Rev: V1.0
	Id: 2/3



2condo Industrie

Sheet: /I2C/
File: I2C.sch

Title: Composants I2C

Size: A4 Date: 2021-01-05
KiCad E.D.A. kicad (5.1.2)-2

Rev: V1.0
Id: 3/3